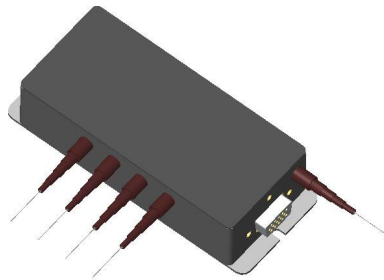


1 X 4 OPTICAL SWITCH



Description

This 1 X 4 cross-connect optical switch is designed for network applications. It offers excellent insertion loss, repeatability and a wide operating temperature range.

Features

- * Low insertion loss
- * Excellent repeatability
- * Millisecond switching time
- * Low polarization dependent loss
- * Wide passband
- * Latched at both on/off positions
- * Low power dissipation
- * Non-blocking
- * Protocol and Data rate independent
- * Switch configuration readout
- * Multimode available upon request

Applications

- * Network performance monitoring
- * Optical test and measurement
- * Bandwidth management applications
- * Network transmission capacity applications

Performance Specifications @ 1550 nm

Insertion Loss	< 0.8 dB
Repeatability	± 0.02 dB
PDL	< 0.1 dB
Crosstalk	< -50 dB
Return Loss	> 50 dB
Switching Time	< 10 mS
Wavelength Range	1280-1340 nm, 1520-1625 nm
Operating Temperature	-5 to 70° C
Operating Humidity	< 90% RH, non-condensing
Input Optical Power	< 20 dBm

Dimensions

L x W x H: 138 mm X 51 mm X 25 mm
(5.4" X 2.0" X 1.0")

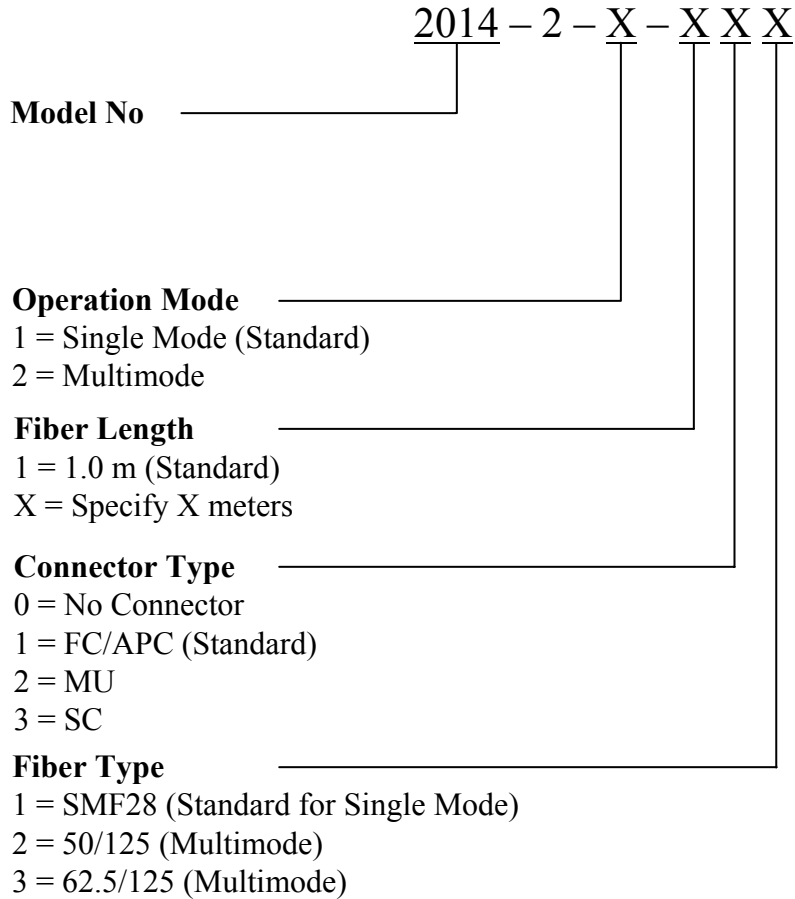
All specifications listed are subject to change without notice.

Advanced Optical MEMS, Inc.

45 Parker, Suite B
Irvine, CA 92618, USA
Tel: (949) 472-3698 . Fax: (949) 472-3699
E-mail: info@aomems.net

1 X 4 OPTICAL SWITCH

Ordering Information



Advanced Optical MEMS, Inc.
 45 Parker, Suite B
 Irvine, CA 92618, USA
 Tel: (949) 472-3698 . Fax: (949) 472-3699
 E-mail: info@aomems.net